



MASTER PL-T 2 Pin

MASTER PL-T 26W/830/2P 1CT

MASTER PL-T is an efficient compact fluorescent lamp, typically used in general downlights for retail, hospitality and office applications demanding higher lighting levels. The original Philips-invented bridge technology guarantees optimum performance in the application, enabling more light and higher efficacy than the bended technology. The 2-pin version is designed for operation on electromagnetic gear and is provided with a plug-in/pull-out lamp base.

Product data

• General Characteristics

Cap-Base	GX24d-3
Cap-Base Information	2P
Life to 10% failures EM	6500 hr
Life to 50% failures EM	10000 hr
LSF EM 2000h Rated, 3h cycle	99 %
LSF EM 4000h Rated, 3h cycle	98 %
LSF EM 6000h Rated, 3h cycle	92 %
LSF EM 8000h Rated, 3h cycle	78 %

• Light Technical Characteristics

Color Code	830 [CCT of 3000K]
Color Rendering Index	82 Ra8
Color Designation (text)	Warm White
Color Temperature	3000 K
Luminous Flux EM 25°C, Rated	1725 Lm
Luminous Flux EM 25°C, Nominal	1800 Lm
Lum Efficacy Rated EM 25°C	66 (min) Lm/W
LLMF EM 2000h Rated	92 %
LLMF EM 4000h Rated	87 %
LLMF EM 6000h Rated	84 %

LLMF EM 8000h Rated	81 %
Design Temperature	28 C
Chromaticity Coordinate X	436 -
Chromaticity Coordinate Y	401 -

• Electrical Characteristics

Lamp Wattage	26 W
Lamp Wattage EM 25°C, Nominal	26 W
Lamp Wattage EM 25°C, Rated	26.0 W
Lamp Voltage EM 25°C	100 V
Lamp Current EM 25°C	0.335 A
Dimmable	No

• Environmental Characteristics

Energy Efficiency Label (EEL)	B
Mercury (Hg) Content	1.4 mg
Energy consumption kWh/1000h	32 kWh

• Product Dimensions

Base Face to Base Face A	86.7 (max) mm
Insertion Length B	111.0 (max) mm
Overall Length C	134.2 (max) mm
Diameter D	41 (max) mm

PHILIPS

MASTER PL-T 2 Pin

• Product Data

Order code	927914583071
Full product code	927914583071
Full product name	MASTER PL-T 26W/830/2P 1CT
Order product name	MASTER PL-T 26W/830/2P 1CT/ 5X10CC
Pieces per pack	1
Packing configuration	5X10CC
Packs per outerbox	50

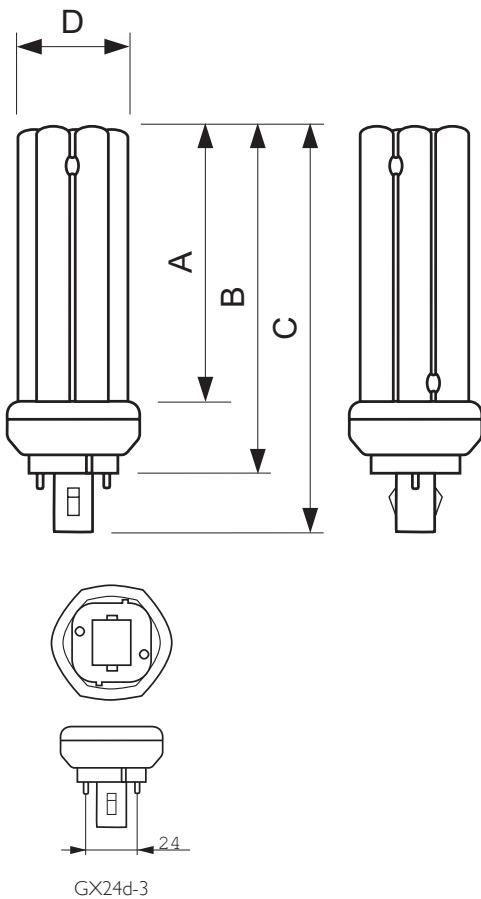
Bar code on pack - EAN1	8711500611024
Bar code on intermediate packing - EAN2	8711500611062
Bar code on outerbox - EAN3	8711500611109
Logistic code(s) - 12NC	927914583071
ILCOS code	FSM-26/30/1B-I-GX24d=3
Net weight per piece	66.000 gr

Warnings and Safety

- Use only with electromagnetic control gear
- Lamp light technical and electrical characteristics are influenced by operating conditions, i.e. lamp ambient temperature and operating position

- Dimming is not possible

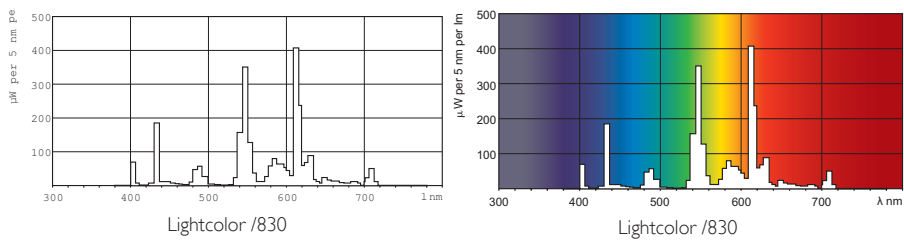
Dimensional drawing



MASTER PL-T 26W/830/2P 1CT

Product	A (Max)	B (Max)	C (Max)	D (Max)
PL-T 26W/830/2P M	86.7	111.0	134.2	41

Photometric data



© 2014 Koninklijke Philips N.V. (Royal Philips)
All rights reserved.

Specifications are subject to change without notice. Trademarks are the property of Koninklijke Philips N.V. (Royal Philips) or their respective owners.

www.philips.com/lighting

2014, April 10
data subject to change