



MASTER PL-S 2 Pin

MASTER PL-S 9W/827/2P 1CT

MASTER PL-S is an efficient low-wattage compact fluorescent lamp, typically used for decorative and orientation purposes. The original Philips-invented bridge technology guarantees optimum performance in the application, enabling more light and higher efficacy than the bended technology. The 2-pin version is designed for operation on electromagnetic gear and is provided with a plug-in/pull-out lamp base

Product data

• General Characteristics

Cap-Base	G23 [Two-Pin Compact Fluorescent; low preheat current; two retainers]
Cap-Base Information	2P
Life to 10% failures EM	6500 hr
Life to 50% failures EM	10000 hr
LSF EM 2000h Rated, 3h cycle	99 %
LSF EM 4000h Rated, 3h cycle	98 %
LSF EM 6000h Rated, 3h cycle	95 %
LSF EM 8000h Rated, 3h cycle	86 %

• Light Technical Characteristics

Color Code	827 [CCT of 2700K]
Color Rendering Index	82 Ra8
Color Designation (text)	Incandescent White
Color Temperature	2700 K
Luminous Flux EM 25°C, Rated	583 Lm
Luminous Flux EM 25°C, Nominal	600 Lm
Lum Efficacy Rated EM 25°C	67 Lm/W
LLMF EM 2000h Rated	94 %
LLMF EM 4000h Rated	91 %
LLMF EM 6000h Rated	89 %

LLMF EM 8000h Rated	86 %
Design Temperature	28 C
Chromaticity Coordinate X	455 -
Chromaticity Coordinate Y	417 -

• Electrical Characteristics

Lamp Wattage	9 W
Lamp Wattage EM 25°C, Nominal	9 W
Lamp Wattage EM 25°C, Rated	8.7 W
Lamp Voltage EM 25°C	60 V
Lamp Current EM 25°C	0.170 A
Dimmable	No

• Environmental Characteristics

Energy Efficiency Label (EEL)	A
Mercury (Hg) Content	1.4 mg
Energy consumption kWh/1000h	11 kWh

• Product Dimensions

Base Face to Base Face A	129 (max) mm
Insertion Length B	145 (max) mm
Overall Length C	167 (max) mm
Diameter D	28 (max) mm



MASTER PL-S 2 Pin

Diameter D1 13 (max) mm

• **Product Data**

Order code 927936082711
 Full product code 927936082711
 Full product name MASTER PL-S 9W/827/2P 1CT
 Order product name MASTER PL-S 9W/827/2P 1CT/
 5X10BOX
 Pieces per pack 1
 Packing configuration 5X10CC
 Packs per outerbox 50

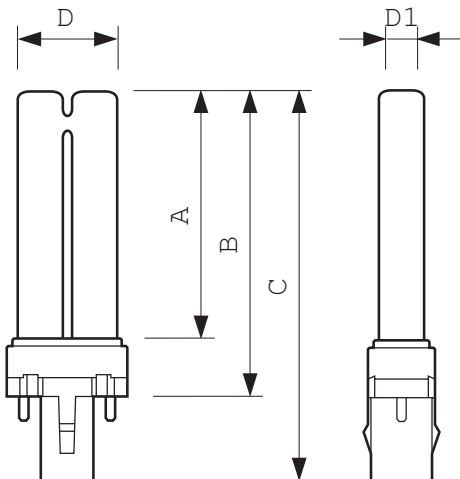
Bar code on pack - EAN1 8711500260796
 Bar code on intermediate packing - EAN2 8711500260802
 Bar code on outerbox - EAN3 8711500260819
 Logistic code(s) - 12NC 927936082711
 ILCOS code FSD-9/27/1B-I-G23
 Net weight per piece 32.000 gr

Warnings and Safety

- Use only with electromagnetic control gear
- Lamp light technical and electrical characteristics are influenced by operating conditions, i.e. lamp ambient temperature and operating position

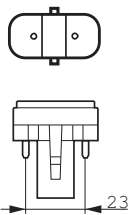
- Dimming is not possible

Dimensional drawing



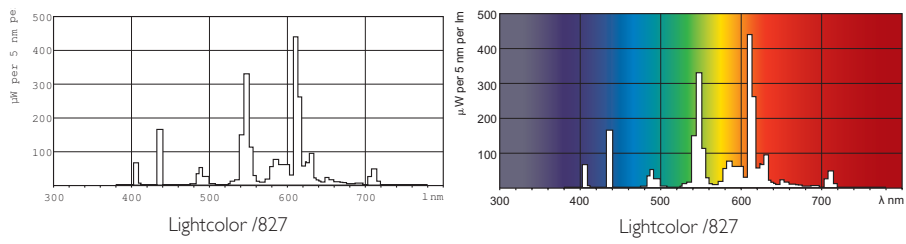
MASTER PL-S 9W/827/2P 1CT

Product	A (Max)	B (Max)	C (Max)	D (Max)	D1 (Max)
PL-S 9W/827/2P LM	129	145	167	28	13



G23

Photometric data



© 2014 Koninklijke Philips N.V. (Royal Philips)
All rights reserved.

Specifications are subject to change without notice. Trademarks are the property of Koninklijke Philips N.V. (Royal Philips) or their respective owners.

www.philips.com/lighting

2014, April 11
data subject to change