



# MASTER LEDspot LV AR111

## MAS LEDspotLV D 11-50W 927 AR111 24D

Delivering a warm, halogen-like accent beam, MASTER LEDspot LV AR111 is an ideal retrofit solution for spot and general lighting applications in the hospitality and retail industry. It is particularly suitable for general lighting where the light is on all the time, such as creative accent lighting applications in shops, restaurants, hotels, and especially for galleries, exhibitions and museums. The robustly designed MASTER LEDspot LV AR111 offers various beam angles for a clearly defined beam spread. There is no UV or IR in the beam, making it suitable for illuminating heat-sensitive objects (food, organic materials, paintings, etc.). The patented intelligent driver enables broad compatibility with existing electromagnetic and electronic halogen transformers. MASTER LEDspot LV AR111 delivers huge energy savings and minimizes maintenance cost without any reduction in brightness.

### Product data

General Information			
Cap-Base	G53 [ G53]	Luminous Intensity (Nom)	2900 cd
Nominal Lifetime (Nom)	40000 h	Color Designation	Warm White (WW)
Switching Cycle	50000X	Rated Beam Angle	24 °
Technical Type	11-50W	Correlated Color Temperature (Nom)	2700 K
		Luminous Efficacy (rated) (Nom)	50.91 lm/W
		Color Consistency	<3
Light Technical		Color Rendering Index (Nom)	90
Color Code	927	LLMF At End Of Nominal Lifetime (Nom)	70 %
Beam Angle (Nom)	24 °	Luminous Flux In 90° Cone (Rated)	560 lm
Light Distribution	Medium beam 24°		
Luminous Flux (Nom)	560 lm	Operating and Electrical	
Luminous Flux (Rated) (Nom)	560 lm	Power (Rated) (Nom)	11 W

# MASTER LEDspot LV AR111

Lamp Current (Nom)	1300 mA
Wattage Equivalent	50 W
Starting Time (Nom)	0.5 s
Warm Up Time To 60% Light (Nom)	0.5 s
Power Factor (Nom)	0.7
Voltage (Nom)	12 V

## Temperature

T-Case Maximum (Nom)	70 °C
----------------------	-------

## Controls and Dimming

Dimmable	Yes
----------	-----

## Approval and Application

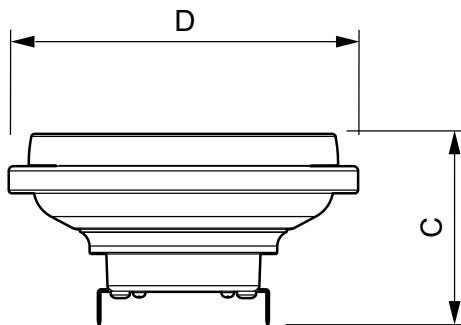
Suitable For Accent Lighting	Yes
------------------------------	-----

Energy Efficiency Label (EEL)	A
Energy Consumption kWh/1000 h	13 kWh

## Product Data

Full product code	871869651488700
Order product name	MAS LEDspotLV D 11-50W 927 AR111 24D
EAN/UPC - Product	8718696514887
Order code	929001169802
Numerator - Quantity Per Pack	1
Numerator - Packs per outer box	6
Material Nr. (12NC)	929001169802
Net Weight (Piece)	0.160 kg

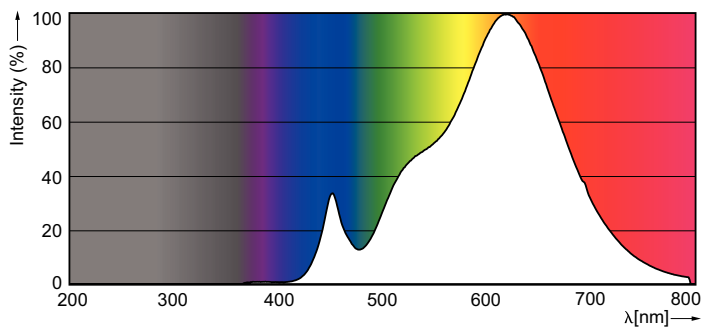
## Dimensional drawing



LED D 11-50W 927 AR111 24D

Product	D	C
MAS LEDspotLV D 11-50W 927 AR111 24D	111 mm	62 mm

## Photometric data



# MASTER LEDspot LV AR111

