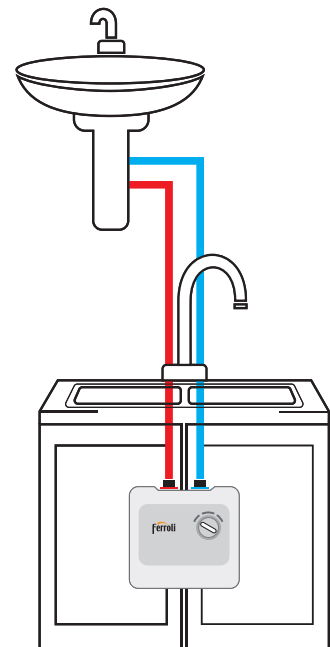
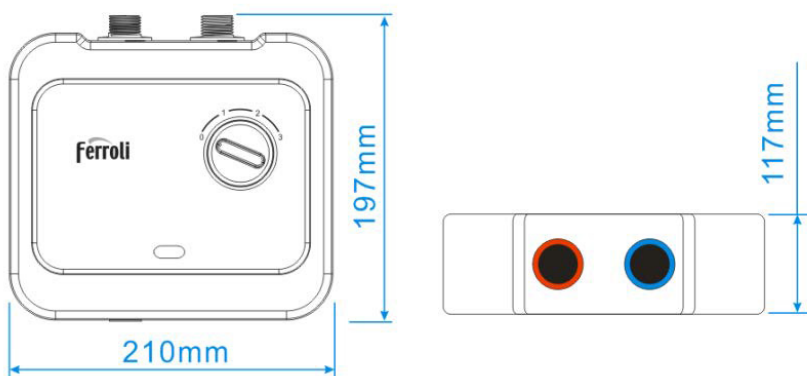


## ➤ Mini Series Instant Water Heater

# atc

*Compact Instantaneous water heater provides instant hot water for the smallest of spaces.  
Only heats water when in use making it energy efficient  
No stored water avoiding legionella.*

- Wall mounted – reinforced hanging bracket with internal steel bar
- External casing - made from strong ABS plastic
- Capillary thermostat
- High concentration magnesium anode
- ON/OFF switch
- Front step-less temperature adjustment, with power level led indication



Product Code	MINI 5.7S
Power	5.7kW (2.5+3.2)
Voltage	220 - 240 Vac
Frequency	50/60Hz
Min Water Flow Rate	2 l/m
Min Water Pressure	80 kPa
Max Water Pressure	0.6 Mpa
Water Connection	15mm dia (1/2" BSP)
Dimensions	210 x 197 x 117mm
Weight	1.5kg
IP Rating	IPx4
ERP Rating	B