

CE IP66 SELV

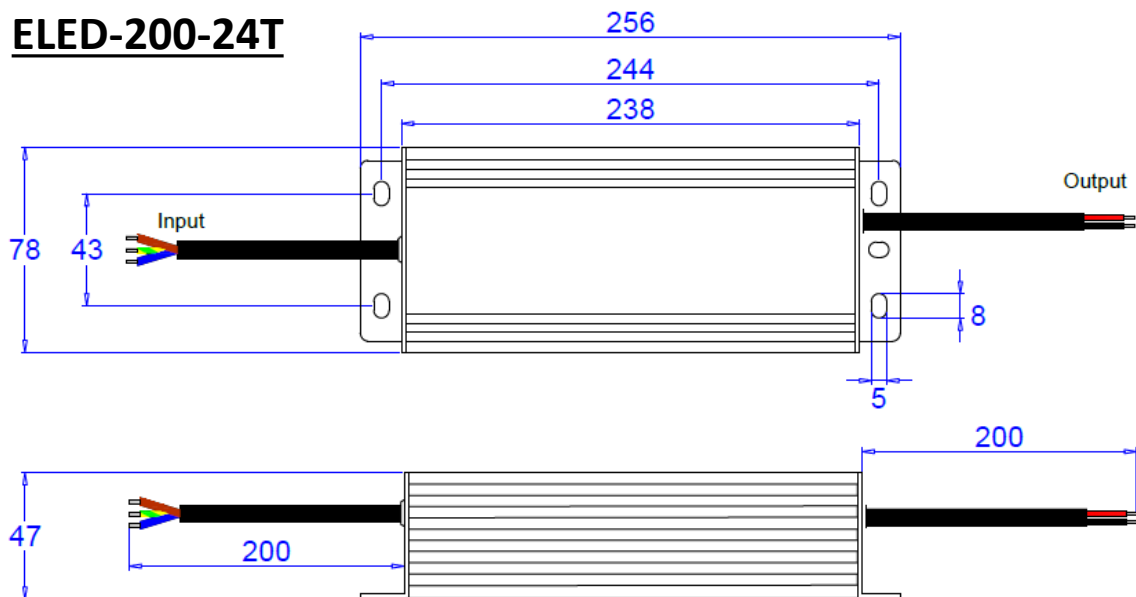
## Features

- Triac dimmable
- Suitable for leading/ Trailing edge dimming
- Output constant voltage
- Protections: Short circuit/ Overload/ Over voltage
- Over 85% efficiency

Model		ELED-200-12T	ELED-200-24T
Output	DC Voltage	12V	24V
	Rated current	16.67A	8.33A
	Voltage Accuracy	±0.5V	
	Rated power	200W	
Input	Voltage Range	180-240VAC	
	Frequency Range	47-63HZ	
	Power Factor ( Typ.)	PF ≥ 0.6/220V	
	Full Load Efficiency(Typ.)	85%	86%
	AC Current(Typ.)	1.78A	1.76A
	Leakage current	<0.7mA/220VAC	
Protection	Short Circuit	Hiccup mode, recovers automatically after fault condition is removed.	
	Over Voltage	≤240VAC	
	Over Current	≤1.4*I out	
Environment	Working TEMP.	-40~+60°C	
	Working Humidity	20~90%RH,non-condensing	
	Storage TEMP., Humidity	-40~+80°C,10~95%RH	
	TEMP. coefficient	±0.03%/°C(0~50°C)	
	Vibration	10~500Hz,2G 10min./1 cycle, period for 60min.each along X,Y,Z axes.	
Safety & EMC	Safety standards	EN61347-2-13.IP66	
	Withstand voltage	I/P-O/P:3.75KVAC I/P-FG:1.88KVAC O/P-FG:0.5KVAC	
	Isolation resistance	I/P-O/P I/P-FG O/P-FG:100MΩ/500VDC/25°C/70%RH	
	EMC EMISSION	Compliance to EN55015,EN61000-3-2 ( ≥ 60%load)	
	EMC IMMUNITY	Compliance to EN61000-4-2,3,4,5,6, 11,EN61547,A light industry level	
Others	Dimesnions	256*78*47mm(L*W*H)	
	Packing	1.8Kg; 8pcs/15.5Kg	

## Mechanical Specification

### ELED-200-24T



### ELED-200-12T

