

HID-HeavyDuty BSN semi-parallel for SON/CDO/MH/HPI

HID-HeavyDuty BSN 70 L33-TS 230V 50Hz HD1-118

Encapsulated electromagnetic copper/iron ballasts for use with an external semi-parallel ignitor for CDM, CDO, MH, HPI (Plus) and SON lamps

Product data

• General Characteristics

Application code	L33-TS
Design	HD1-118
Rated Lamptype	SON/CDO
Rated Number of Lamps	1 piece
Rated Ballast-Lamp Power	70
Line Voltage	230 V
Line Frequency	50 Hz

• Operating Characteristics

Mains voltage safety (AC)	-10%/+10%
Mains voltage performance (AC)	-8%/+6%
Input current with PF-correct.	0.45 A
Input current w/o PF-correct.	1.00 A
Power losses gear	11.0 W
PowerFactor 100% output power	0.87 -
PowerFactor w/o PF compens.	0.35 -

• Wiring Characteristics

Connector type	Screw
Striplength	7.0 mm
Wcs Ballast contacts	0.70-6.00 mm ²

• System Chars on driver level

Recommended Ignitor	for SON/CDO lamps ignitor SN 57 (913619589966) OR SND57
---------------------	---

Capacitor	(913700184966) or series digital SUD10 (913700195891) 12µF/250V
-----------	---

• Temperature Characteristics

Active temperature protection	Yes
T-storage	-30 (min), 130 (max) C
T-winding maximum (tw)	130 (max) C
Delta-T normal conditions	55 C

• Product Dimensions

Length A1	118.0 mm
Fixing Hole Distance	103.0 mm
Length A2	
Width B1	65.0 mm
Height C1	53.0 mm
Fixing Hole Diameter D1	6.2 mm

• Approval & Application Chars

CE marking	Yes
ENEC certificate	Yes

• Product Data

Order code	059680 31
Full product code	871150005968031
Full product name	BSN 70 L33-TS 230V 50Hz HD1-118
Order product name	BSN 70 L33-TS 230V 50Hz HD1-118
Pieces per pack	1
Packing configuration	6

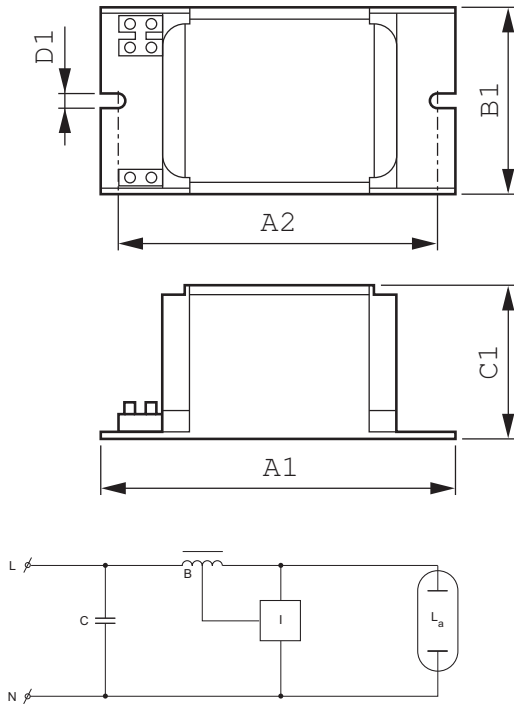
PHILIPS

HID-HeavyDuty BSN semi-parallel for SON/CDO/MH/HPI

Packs per outerbox 6
Bar code on pack - EAN1 8711500059680
Bar code on outerbox - EAN3 8711500062154

Logistic code(s) - 913700226526
12NC
Net weight per piece 1.280 kg

Dimensional drawing



HID-HeavyDuty BSN 70 L33-TS 230V 50Hz HD1-118

Product	A1 (Norm)	A2 (Norm)	B1 (Norm)	C1 (Norm)	D1 (Norm)
BSN 70 L33-TS 230V 50Hz HD1-118	118.0	103.0	65.0	53.0	6.2



© 2014 Koninklijke Philips N.V. (Royal Philips)
All rights reserved.

Specifications are subject to change without notice. Trademarks are the property of Koninklijke Philips N.V. (Royal Philips) or their respective owners.

www.philips.com/lighting

2014, February 12
data subject to change