

# ATC **EcoTap** Washroom Range

## *Experience Unique*

- Soap Dispenser
- Auto Water Tap
- High Speed Hand Drying



Wall Mounted Version

## **EcoTaps for a Green Future**

Intelligent Energy Saving  
Temperature Control Technology  
for Commercial Washrooms

[atcelec.co.uk](http://atcelec.co.uk)



**atc**

# ATC EcoTap

## The future of Washroom Technology

### Product Features

- Hand washing and Drying in one location
- Taps installed in situ within Sink or above sink
- Simple to operate – automatic operation
- Ideal for High Usage Washrooms
- More hygienic – no touch
- Intelligent Energy Saving, Temperature Control technology
  - Hand Drying temperature
- Wash and dry your hands in 40 seconds
  - Water Conservation
- Taps manufactured High Quality 304 Stainless Steel,
- Alternative tap colour options with PVD finish
- Quiet Operation
- Concealed Mechanisms for easy servicing
- Brushless Motor for long service life
- Increased Safety – no water on the floor
- Soap dispenser available with liquid or foam outlets and 1.5 or 3 ltr storage containers



# ATC EcoTap range

Designed to complement modern high traffic bathrooms with a complete range of Soap Dispenser, Auto Tap and High Speed Hand Dryer.

### DESCRIPTION

Product Code	ATC EcoTap
Cover Material	304 Stainless steel
Finish	Brushed
Activation	Automatic

### SAFETY FEATURES

Motor Thermal Protection	102°C Auto Resetting
Heater Thermal Protection	139°C Auto Resetting
Time Protection	60s Auto shut off
Cover	304 Stainless steel
Protection	I.P. 35

### ELECTRICAL HAND DRYER SPECIFICATIONS

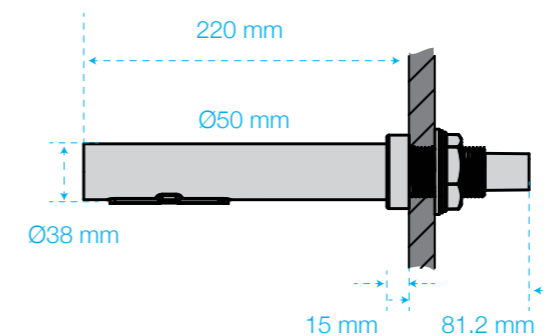
	WALL / SINK
Voltage	220 - 240Vac
Frequency (Hz)	50-60Hz
Motor speed	22000-29000RPM
Power Output	840-1000W
Motor Power	500W
Heating Power (off/min/max)	0/340-500W
Sensor Range	130mm ± 20mm (Auto Adjust)
Drying Time	12-15 Seconds
Air Flow m/s	93 -110/84-101 (SINK)
Air Volume l/s	16.4/15 (SINK)
Noise (dBA @1m)	59.2-63.8
Temperature	Intelligent control

### APPROVALS

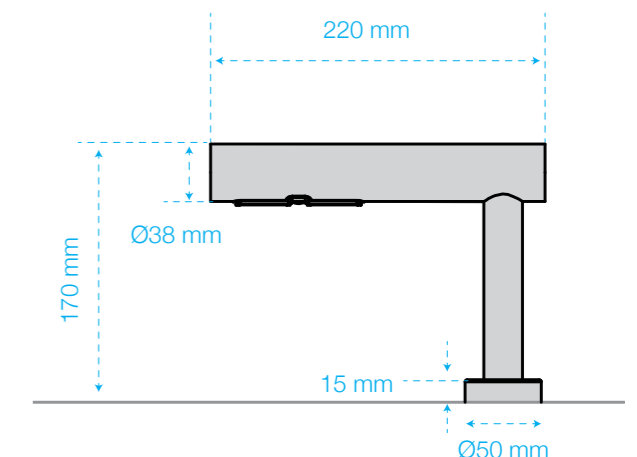


### DIMENSIONS

#### Wall mounted



#### Sink mounted



### Energy Efficient

Low Running Costs 500 Watts without heat 1000 Watts maximum

### High Performance

Dries Hands in 12-15 Seconds

### Easy to Maintain

Easy Servicing as all mechanical Components are separately Mounted in the service cavity or under sink cabinet.



## ATC EcoTap Washroom Range



### Locations

- Airports
- Hospitals
- Nursing Homes
- Offices
- Sports Stadia
- Motorway Stations
- Schools
- Universities
- Hotels
- Restaurants



### Head Office & Showrooms:

#### ATC House,

Broomhill Drive,  
Tallaght, Dublin 24,  
Ireland, D24 EF99.

UK Tel: 0203 5649164

Fax: 353 (1) 452 0887

Email: [sales@atc.ie](mailto:sales@atc.ie)



# atc

Energy Efficient  
Heating & Hand Dryers



QUALITY APPROVED  
COMPANY

## [atcelec.co.uk](http://atcelec.co.uk)