

# Xitanium LED Driver Outdoor Dimmable (US)

Xitanium 100W 0.7A PROG+ GL-Z sXt

Xitanium Outdoor LED Drivers are available in wattages from 40W to 150W for hard-wire integration into outdoor luminaires for the most rugged applications. These drivers operate to specification under wide temperature and electrical ranges to ensure reliability. 1-10V dimming enables luminaires to be easily connected to a wide variety of sensors and control systems to facilitate dimming, thus maximizing energy savings.

## Benefits

### • General Information

Number of products on MCB (16 A type B) (max.) 9

### • Operating and Electrical

Input frequency	50-60 Hz
Total harmonic distortion IEC (max.)	20 %
Output current ripple (nom.)	30 %
Power factor 100% load (min.)	0.97
Output current (nom.)	100-700 mA
Output current tolerance (max.)	5 %
Output current tolerance (min.)	-5 %
Input voltage (AC)	120-277 V
Power factor 50% load (min.)	0.94
Earth leakage current (max.)	0.35 mA
Input current (max.)	480 mA
Input power (nom.)	115 W
Inrush current peak (max.)	80 A
Output power (nom.)	35-100 W
Output voltage	71-143 V
Inrush current width to 50% of peak	150 µs

### • Wiring

Control wire length	275 mm
Output wire length	275 mm
Control wire cross section (nom.)	0.82 mm <sup>2</sup>
Output wire cross section (nom.)	0.82 mm <sup>2</sup>
Input Wire Cross Section	0.82 mm <sup>2</sup>

### • Temperature

T ambient (max.)	55 °C
T ambient (min.)	-40 °C
T case lifetime (nom.)	66 °C
T-Case maximum (max.)	80 °C
Temperature protection module	Programmable
T-Case switch off (nom.)	85 °C

### • Controls and Dimming

Control interface	1-10V/AmpDim/DALI/Dynadimmer
Dimming range	100-10 %
Lumistep dimming time	-
Lumistep dimming time after midpoint	-

### • Mechanical and Housing

Colour of the Housing	Black
-----------------------	-------

**PHILIPS**

# Xtanium LED Driver Outdoor Dimmable (US)

## Approval and Application

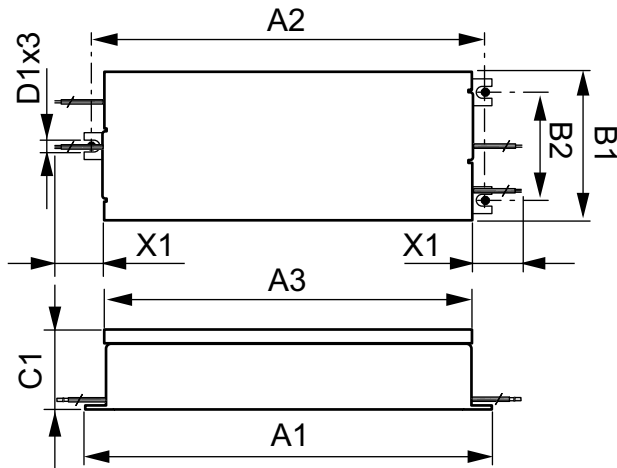
Surge protection (common/differential)	4/4 kV
IP classification	-
Isolation classification	Class II
Approval marks	ENEC certificate CE marking RoHS compliance

Order product name	Xtanium 100W 0.7A PROG+ GL-Z sXt
EAN/UPC – product	8718291245193
Order code	929000708703
Numerator – quantity per pack	1
Numerator – packs per outer box	12
Material no. (12NC)	929000708703
Net weight (piece)	0.745 kg

## Product Data

Full product code	871829124519300
-------------------	-----------------

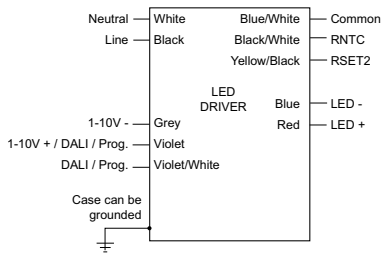
## Dimensional drawing



Xtanium 75W 0.70A, 100W 0.53A Programmable

## Xtanium 100W 0.7A Prog+ GL-Z sXt

Product	D1	A2	B2	C1	A1	A3	X1	B1
Xtanium 100W 0.7A PROG+ GL-Z sXt	5.5 mm	155 mm	50 mm	38 mm	165 mm	147.4 mm	275 mm	70 mm



Xtanium 75W 0.70A Prog+ sXt



© 2016 Philips Lighting Holding B.V.  
All rights reserved.

Specifications are subject to change without notice. Trademarks are the property of Koninklijke Philips N.V. (Royal Philips) or their respective owners.

[www.philips.com/lighting](http://www.philips.com/lighting)

2016, February 1  
data subject to change